



**REACH ALL**

**BRIDGE  
INSPECTION  
UNITS**

MODELS

**UB40  
UB50  
UB60**

*The Total Bridge Inspection Unit  
Designed with  
Your Bridges in Mind*





# **REACH ALL ...unequaled performance ...efficient, reliable, rigid, agile and safe!**

Bridge inspection is a demanding job, requiring specialized equipment designed to permit the inspector/operator to maneuver safely into every position near the bridge structure allowing for close evaluation. To accomplish this, the right equipment is essential.

At REACH ALL, our design engineers have enlisted the help

of many inspection professionals to assure that our equipment will

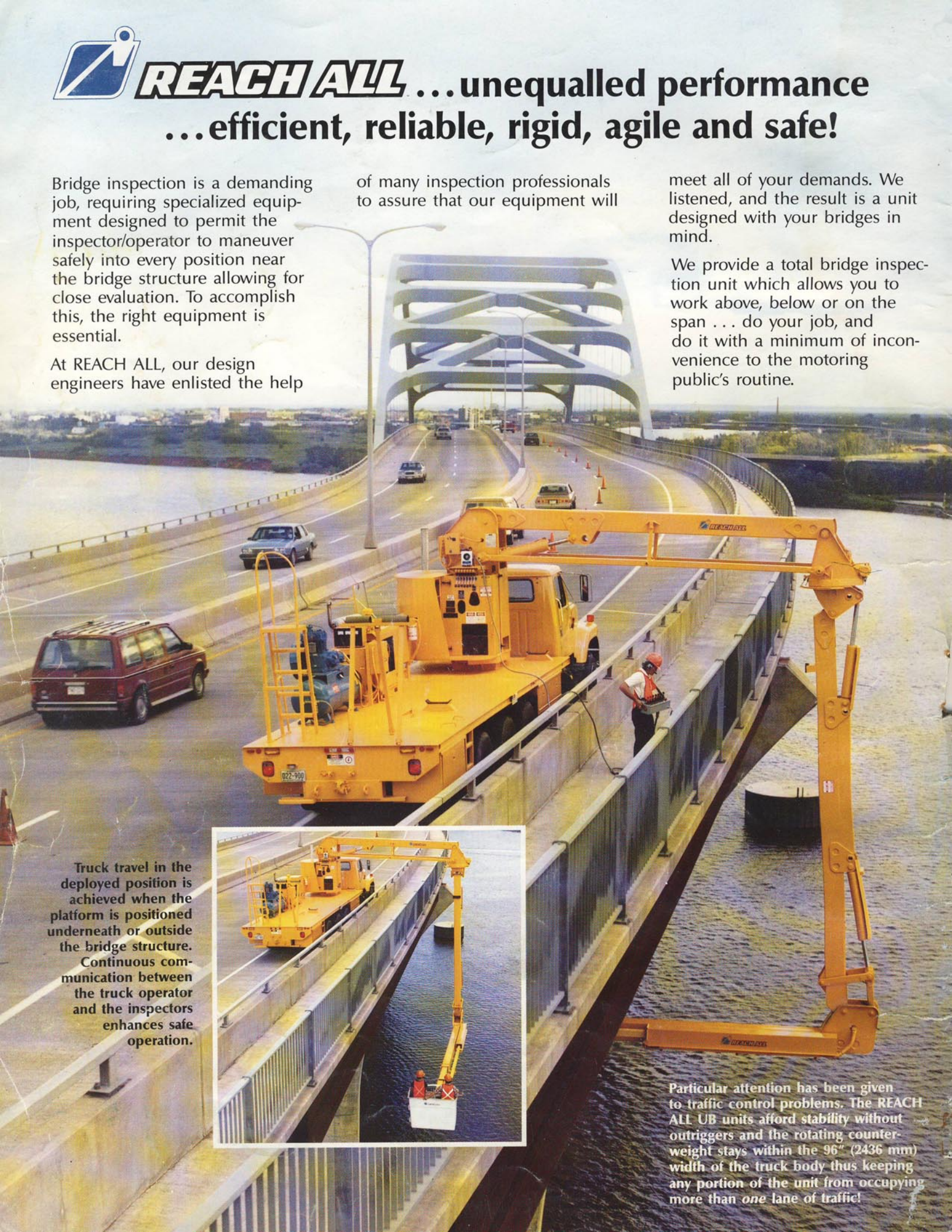
meet all of your demands. We listened, and the result is a unit designed with your bridges in mind.

We provide a total bridge inspection unit which allows you to work above, below or on the span ... do your job, and do it with a minimum of inconvenience to the motoring public's routine.



Truck travel in the deployed position is achieved when the platform is positioned underneath or outside the bridge structure. Continuous communication between the truck operator and the inspectors enhances safe operation.

Particular attention has been given to traffic control problems. The REACH ALL UB units afford stability without outriggers and the rotating counterweight stays within the 96" (2436 mm) width of the truck body thus keeping any portion of the unit from occupying more than *one* lane of traffic!





# Unique design features and options available

**EXTRA AGILITY** is a standard feature on REACH ALL Models UB50 and UB60. These units offer a hydraulically activated fourth boom which extends the working range to include travel between bridge girders to get a close-up look at the back side. When this boom is placed perpendicular to the third boom, it is capable of placing an inspector 7' (2.1 m) above the third boom on the model UB50, and 9'9" (3.0 m) on the model UB60.



**EXTENDED REACH** — Up to 60' (18.3 m) of underbridge span is available without requiring that the truck chassis be repositioned.

**SMOOTH, PRECISE CONTROL** is a standard feature which has become a REACH ALL trademark.

Electro/proportional valves provide precise metering capability for all boom and rotation functions, with each function having its own individual control. There are three (3) control stations provided . . . one at the work platform, a second attached to an extendable 20' (6.1 m) remote cord, both using interchangeable electro/hydraulic controls, and a third set, full hydraulic at the main control station. Each control station is equipped with an

engine kill switch that when activated, will shut off the auxiliary and the chassis engines. These features are standard on all REACH ALL UB Series units.



**VERTICAL BARRIER CLEARANCE** — designed to deploy over fences in excess of 10 feet.

**MANEUVERABILITY**—Two rotating turrets are provided, one at the pedestal (T-1) affording 155° of rotation and one at the end of the first boom (T-2) with up to 360° rotation. In the deployed position, T-2 has 224° rotation to provide more agility to thread through tight trusswork and maneuver around underbridge supports, providing easier access to more underbridge area.





only from  **REACH ALL**

**SPACIOUS WORK PLATFORMS** are standard with all REACH ALL units. The 600 lb. (272 kg.) capacity, 24" x 54" x 42" deep (609 mm x 1370 mm x 1066 mm) fiberglass platform, with recessed hand holds for added safety, is standard on the UB40 and UB50. A 36" x 60" x 42" deep (913 mm x 152 mm x 1066 mm) aluminum platform is standard with the UB60. All platforms are designed to be interchangeable.



**TWO POWER SOURCES** are provided. The primary power source is a liquid-cooled diesel engine capable of powering the Bridge Inspection Unit while providing electric power to the platform by means of a direct-mounted generator. The back-up source of power is a power-take-off from the truck transmission.

**ACCESSORIES** include three-station communication system, 115/220-volt electrical outlets, platform heaters, floodlights, tool trays and a platform cover.



(A) The optional 8-foot wide, 3-man metal work platform with 180-degree hydraulic rotation is also available.

(B) A hydraulic extension may be optionally added to the fourth boom for additional reach behind deep girders.

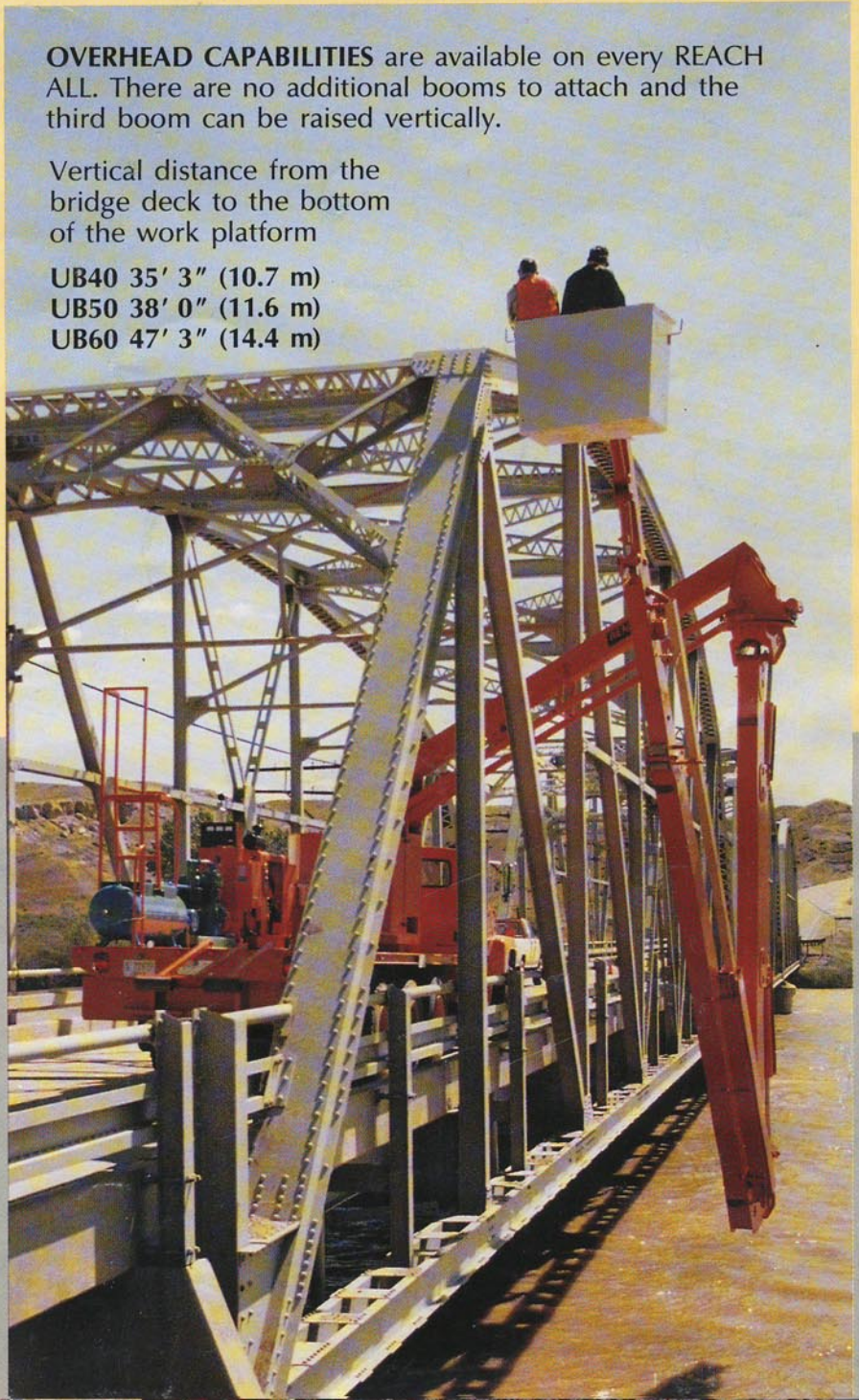
**OVERHEAD CAPABILITIES** are available on every REACH ALL. There are no additional booms to attach and the third boom can be raised vertically.

Vertical distance from the bridge deck to the bottom of the work platform

UB40 35' 3" (10.7 m)

UB50 38' 0" (11.6 m)

UB60 47' 3" (14.4 m)

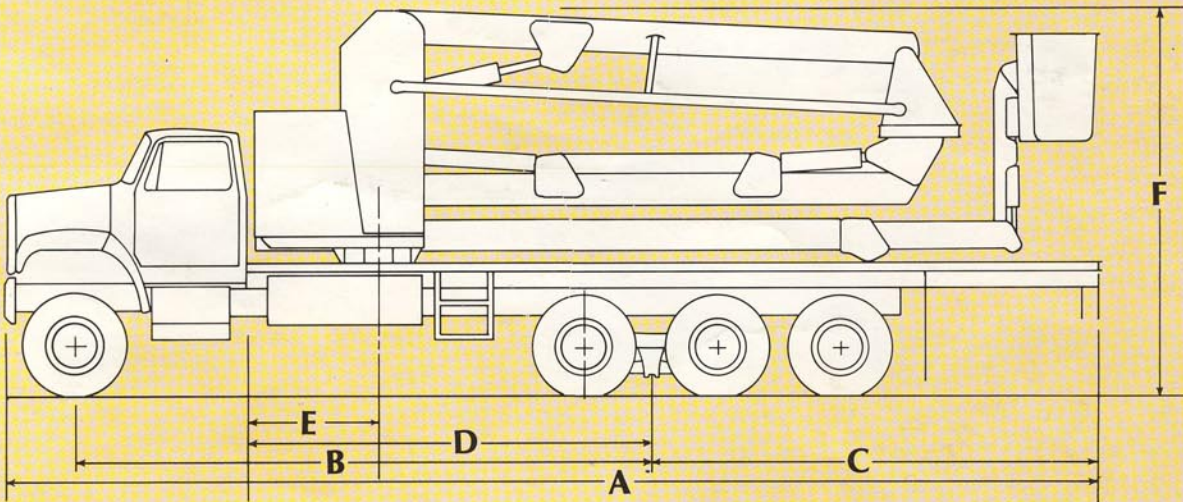






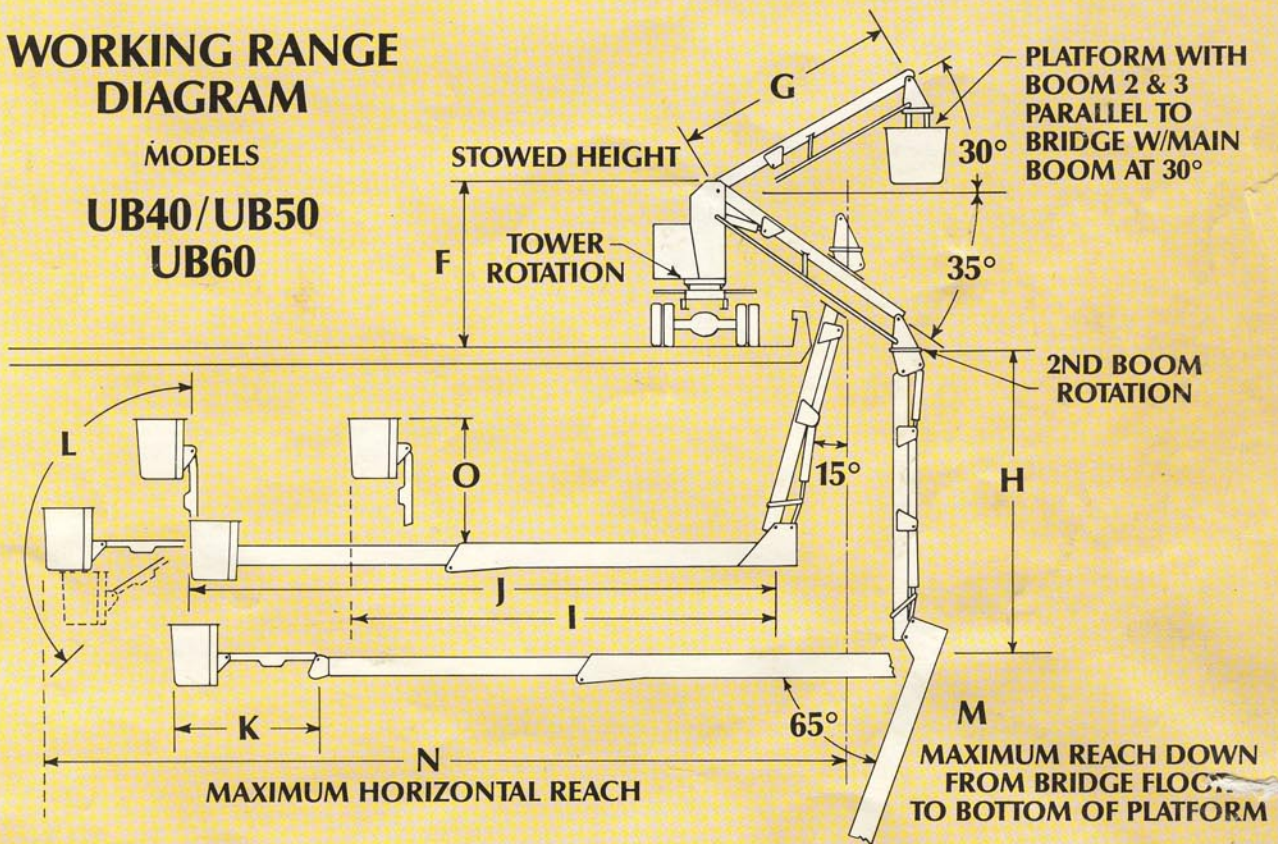
# BRIDGE INSPECTION UNITS

## MODELS UB40/UB50/UB60



### WORKING RANGE DIAGRAM

MODELS  
UB40/UB50  
UB60



DIMENSION	A	B	C	D	E	F	G	H	I	J	K	L	M	N	O
MODEL UB40	34'0" (10.4 m)	17'6" (5.3 m)	11'8" (3.6 m)	11'11" (3.6 m)	4'3" (1.3 m)	12'10" (3.9 m)	15'5" (4.7 m)	20'1" (6.1 m)	18'6" (5.6 m)	38'3" (11.7 m)	N/A	N/A	52'0" (15.8 m)	43'4" (13.2 m)	N/A
MODEL UB50	37'0" (11.3 m)	18'0" (5.5 m)	14'11" (4.5 m)	13'2" (4.0 m)	4'3" (1.3 m)	13'3" (4.0 m)	16'11" (5.2 m)	24'1" (7.3 m)	24'8" (7.5 m)	37'8" (11.5 m)	8'0" (2.4 m)	125°	63'0" (19.2 m)	51'9" (15.8 m)	7'1" (2.2 m)
MODEL UB60	40'0" (12.2 m)	18'0" (5.5 m)	17'3" (5.3 m)	13'2" (4.0 m)	4'3" (1.3 m)	13'0" (4.0 m)	16'11" (5.2 m)	24'1" (7.3 m)	32'10" (10.0 m)	44'2" (13.5 m)	10'11" (3.3 m)	136°	70'0" (21.3 m)	61'0" (18.6 m)	9'9" (3.0 m)

The specifications and description listed herein were approved at the time of initial printing and are subject to change without notice and without incurring any liability. Also, this specification describes the operating parameters of a total bridge inspection unit system and is not intended to imply what is or is not included in the base price of the REACH ALL unit. Consult the REACH ALL price list for this information.

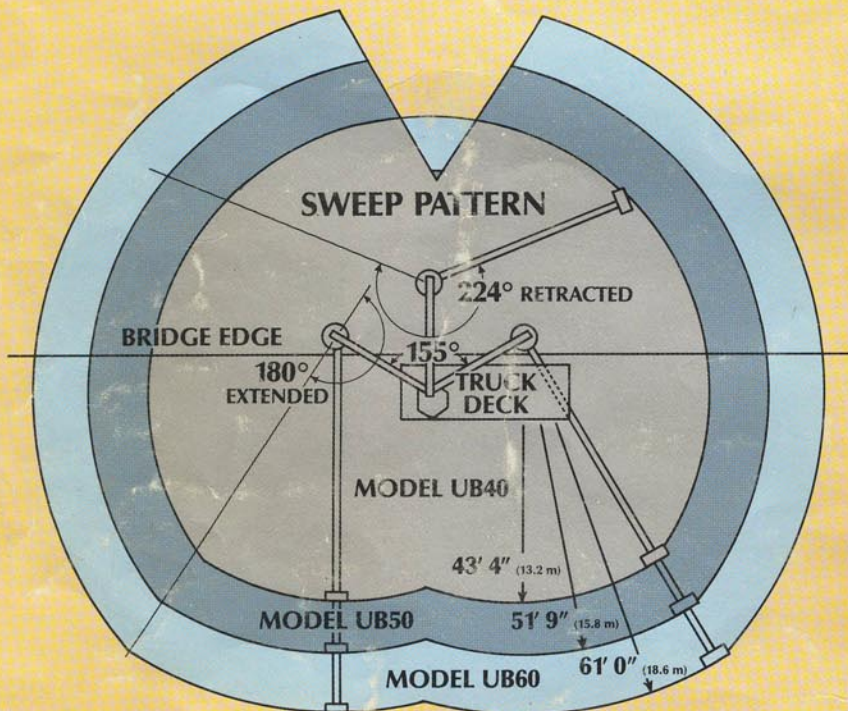




# BRIDGE INSPECTION UNITS MODELS UB40/UB50/UB60



The Model UB50  
in the traveling position.



Exclusively Manufactured By

